

POT Magnetic Ferrite Core



RoHS / RoHS II Compliant

FEATURES:

- Higher shielding effect, higher inductance
- High permeability
- High inductive resistance

APPLICATIONS:

- Carrier frequency filter,
- Chokes
- Different types inductor and transformer

DESCRIPTION & KEY ELECTRICAL SPECIFICATIONS

The POT Magnetic ferrite core is widely used for high frequency of transformer, we provide 40,44 and 95 ferrite material for options.

PART IDENTIFICATION:

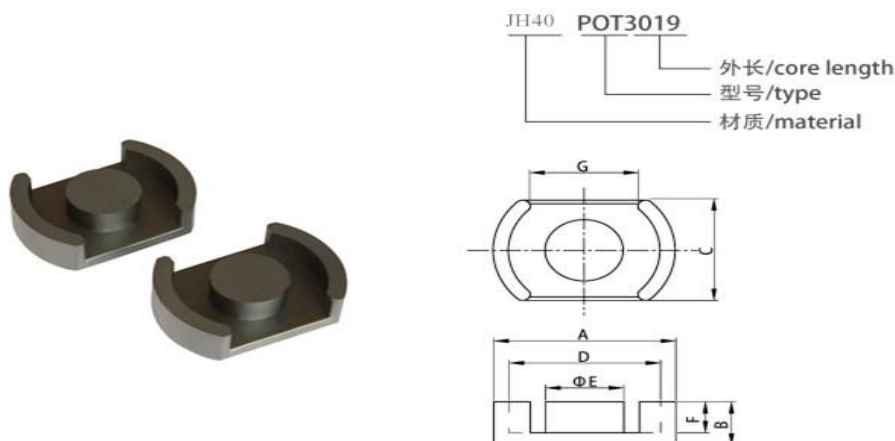


Fig 1

AL-value测定条件: 1KHz,0.25V(Without air gap)

型号 Type	尺寸 Dimensions(mm)							
	Fig	A	B	C	D	ΦE	F	G
POT3013	1	30±0.5	3.75±0.15	20.3±0.3	25.4±0.4	13.3±0.2	3.95±0.2	18.2min
POT3016	1	30±0.5	7.75±0.15	20.3±0.3	25.4±0.4	13.3±0.2	4.95±0.2	18.2min
POT3019	1	30±0.5	9.4±0.1	20.3±0.3	25.4±0.4	13.3±0.2	6.6±0.1	18.2min
POT3319	1	33.2±0.5	9.4±0.15	23.7±0.3	26.4±0.4	13.5±0.2	6.5±0.15	18.5min
POT3314	1	33.2±0.5	7.1±0.15	23.7±0.3	26.4±0.4	13.5±0.2	4.3±0.15	18.5min
POT3319A	1	33.2±0.4	9.7±0.2	24.0±0.3	27.0min	13.5±0.2	6.8±0.15	18.5min
POT3324	1	33.2±0.4	12.0±0.2	23.7±0.3	26.6±0.4	13.5±0.2	9.1±0.15	18.5min

型号 Type	有效参数 Effective parameter				重量 Weight(g)	AL±25% (nH/N ²) TY40
	C1(mm ⁻¹)	Le(mm)	Ae(mm ²)	Ve(mm ³)		
POT3013	0.30	33.9	113.9	3861.2	23.7	5300
POT3016	0.34	40.0	117	4680	26.0	5600
POT3019	0.395	46.2	117	5410	30.5	4600
POT3319	0.35	51.44	147.4	7576.4	39.8	5400
POT3314	0.29	42.59	145.05	6177.7	32.9	6000
POT3319A	0.29	42.59	143.0	6177.7	39.8	5400
POT3324	0.43	62.6	147.4	9227.24	47.0	4220



STORAGE AND OPERATIONAL CONDITION:

Storage condition

- Recommended storage conditions: $-25^{\circ}\text{C} \sim 85^{\circ}\text{C}$, 70%RH (Max.)
- Service life: Within the limits of six month from being produced.
- The appearance and solder ability should be check, if product is not in expiry date.

Operation Conditions

- Use condition limit: $T = -25^{\circ}\text{C} \sim 85^{\circ}\text{C}$, $\text{RH} \leq 90\%$.

NOTE:

- The parts are manufactured in accordance with this specification. If other conditions and specifications which are required, please contact us for more information.
 - We will supply the parts in accordance with this specification unless we receive a written request to modify prior to an order placement.
 - In no case shall JHcoils be liable for any product failure from in appropriate handling or operation of the item beyond the scope of this specification.
 - When changing your production process, please notify us immediately.
- V) This drawings and specifications are the property of JHCoils .and shall not be reproduced or used as this the basis for the manufacture or sale of apparatus or devices without permission.

CUSTOMED PRODUCTS

We can Provide other Magnetic ferrite core and transformer components according to your requirements. Email us: info@jhcoils.com

ATTENTION: The electronic component is designed and developed for usage in general electronic products only. This products are not specifically designed for Military, Aviation, Aerospace, Life-dependant Medical applications or any application requiring high reliability where component failure could result in loss of life and/or property. We shall not be liable for incidental or consequential damage so fany kind.